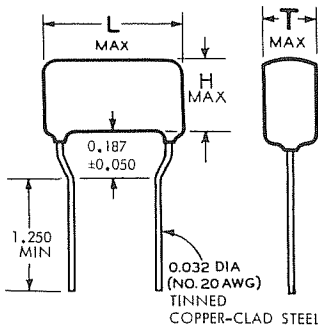
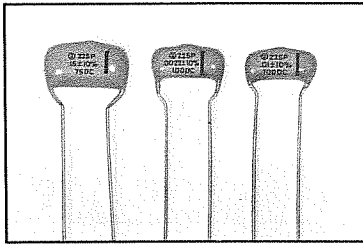


TYPE 225P ORANGE DROP® POLYESTER CAPACITORS



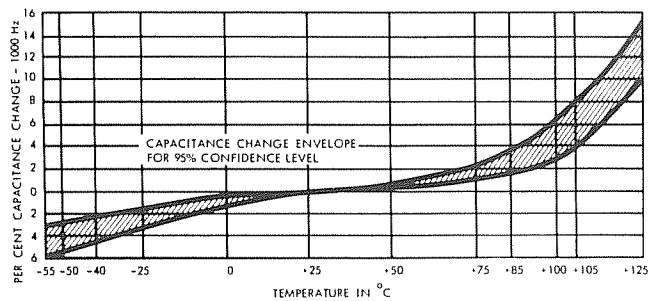
- Designed specifically for printed wiring board applications and furnished with radial leads to facilitate insertion on boards.
- Wide application: television sets, instruments, commercial electronic equipment, etc.
- Utilize minimum space on printed wiring boards.
- Capacitor sections wound from polyester film and thin-gage foil under carefully controlled atmospheric conditions.
- Protected against moisture by wax-free conformal coating of epoxy.
- For complete technical data, refer to latest issue of Engineering Bulletin 2062.

PERFORMANCE CHARACTERISTICS

- Operating Temperature Range:** -55°C to +85°C; to +105°C with 30% voltage derating; to +125°C with 50% voltage derating of +85°C value.
- Capacitance Tolerance:** ±10%.
- Dissipation Factor:** (At +25°C) Max. dissipation factor shall be 0.75%.
- Insulation Resistance:** (At +25°C) The minimum product of insulation resistance, which need not exceed 100,000 megohms, and capacitance, shall be 25,000 megohms-microfarads.
- Dielectric Withstanding Voltage:** Capacitors are capable of withstanding d-c potential of 250% of rated voltage for not more than 5 seconds.
- Humidity Test:** Capacitors are capable of withstanding humidity test for 72 hours at 95% relative humidity at +75°C with no voltage applied, and dried in circulating air for 4 hours. After test, minimum product of insulation resistance and capacitance shall be 5000 megohm-microfarads, and insulation resistance need not exceed 10,000 megohms.
- Life Test:** Capacitors are capable of withstanding a 500 hour life test at +85°C at 150% of rated working voltage. After test, capacitance shall not have changed by more than 5% of initial value, insulation resistance shall not have decreased by more than 50% of initial limit, and dissipation factor shall not have increased by more than 1%.

Size Code	H	T	L	Size Code	H	T	L	Size Code	H	T	L
AB	.315	.815	.703	CA	.562	.234	.812	DJ	.812	.484	.812
AC	.328	.234	.703	CB	.593	.250	.812	EA	.890	.562	1.187
AD	.343	.250	.703	CC	.265	.281	.812	EB	.906	.513	1.187
AE	.375	.281	.703	CD	.640	.312	.812	EC	.953	.656	1.187
AF	.531	.328	.703	CE	.718	.375	.812	ED	.984	.734	1.187
BA	.593	.375	.812	CF	.375	.421	.812	FA	.718	.421	1.187
BB	.625	.406	.812	CG	.781	.468	.812	FB	.843	.500	1.187
BC	.171	.439	.812	DA	.843	.531	.812	FC	1.140	.843	1.187
BD	.718	.468	.812	DE	.593	.250	.812	GA	.812	.484	1.187
BE	.375	.500	.812	DF	.593	.281	.812	GB	.890	.562	1.187
BF	.781	.531	.812	DG	.593	.312	.812	GC	1.0	.734	1.187
BG	.812	.562	.812	DH	.656	.343	.812	GD	1.140	.843	1.187
BH	.875	.625	.812	DI	.656	.421	.812				

CAPACITANCE CHANGE vs. TEMPERATURE



*Available until present stocks are depleted.

μF	Size Code	Catalog Number	μF	Size Code	Catalog Number	μF	Size Code	Catalog Number
100 WVDC								
.001	AB	225P10291WD3	.1	AF	225P10491WD3	.068	CC	225P68392XD3
.0012	AB	225P12291WD3	.12	BA	225P12491XD3	.1	CE	225P10492XD3
.0015	AB	225P15291WD3	.15	BB	225P15491XD3	.15	CF	225P15492XD3
.0018	AB	225P18291WD3	.18	BC	225P18491XD3	.22	CG	225P22492XD3
.0022	AB	225P22291WD3	.22	BD	225P22491XD3	.33	FA	225P33492YD3
.0027	AB	225P27291WD3	.27	BE	225P27491XD3	.47	FB	225P47492YD3
.0033	AB	225P33291WD3	.33	BF	225P33491XD3	.68	GD	225P68492YD3
.0039	AB	225P39291WD3	.39	BG	225P39491XD3	400 WVDC		
.0047	AB	225P47291WD3	.47	BH	225P47491XD3	.001	CA	225P10294XD3*
.0056	AB	225P56291WD3	.56	EA	225P56491YD3	.0015	CA	225P15294XD3*
.0068	AB	225P68291WD3	.68	EB	225P68491YD3	.0022	CA	225P22294XD3*
.0082	AB	225P82291WD3	.82	EC	225P82491YD3	.0033	CA	225P33294XD3*
.01	AB	225P10391WD3	1.0	ED	225P10591YD3	.0047	CA	225P47294XD3*
200 WVDC								
.012	AB	225P12391WD3	.001	CA	225P10292XD3	.0068	DE	225P68294XD3*
.015	AB	225P15391WD3	.0015	CA	225P15292XD3	.01	DE	225P10394XD3*
.018	AB	225P18391WD3	.0022	CA	225P22292XD3	.015	DF	225P15394XD3*
.022	AB	225P22391WD3	.0033	CA	225P33292XD3	.022	DG	225P22394XD3*
.027	AC	225P27391WD3	.0047	CA	225P47292XD3	.033	DH	225P33394XD3*
.033	AC	225P33391WD3	.0068	CA	225P68292XD3	.047	DI	225P47394XD3*
.039	AD	225P39391WD3	.01	CB	225P10392XD3	.068	DJ	225P68394XD3*
.047	AD	225P47391WD3	.015	CB	225P15392XD3	.1	DA	225P10494XD3*
.056	AE	225P56391WD3	.022	CB	225P22392XD3	.15	GA	225P15494YD3*
.068	AE	225P68391WD3	.033	CC	225P33392XD3	.22	GB	225P22494YD3*
.082	AF	225P82391WD3	.047	CC	225P47392XD3	.33	GC	225P33494YD3*
						.47	GD	225P47494YD3*